

SLAL-250 – SLIDING DOOR HARDWARE

SLAL-250-BP-2DR By-Pass Doors, SLAL-250-BP-4DR By-Pass Doors
SLAL-250-PD Pocket Doors, SLAL-250-SW Side Wall Mount

INSTALLATION INSTRUCTION

Kit Includes:

- (1) Header Track
- (1) Universal Hardware Pack
(2 Packs for By-Pass Doors)

Universal Hardware Pack



Optional Items

- Bottom Channel Guide
- Soft Close
- Fascias



SLAL-250-BP-2DR, SLAL-250-BP-4DR



SLAL-250-PD



SLAL-250-SW

Door and Frame Sizing

By-Pass and Pocket Door Openings:

	FRAME OPENING OR ROUGH HEADER HEIGHT:	DOOR HEIGHT:
Using Floor Guide (3/8" undercut):	Door Height + 2 7/8"	Frame Opening - 2 7/8"
Using Wall Mounted Guide (3/4" undercut):	Door Height + 3 1/4"	Frame Opening - 3 1/4"

Side Wall Mount:

	LOCATE TOP EDGE OF TRACK:	DOOR HEIGHT:
Using Floor Guide (3/8" undercut):	Door Height + 4"	Top Edge of Track - 4"
Using Wall Mounted Guide (3/4" undercut):	Door Height + 4 3/8"	Top Edge of Track - 4 3/8"

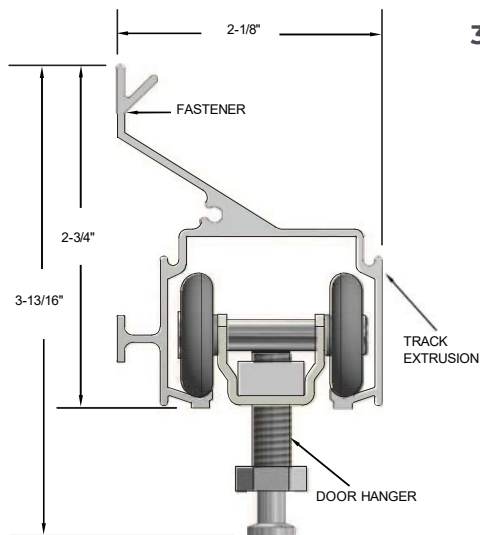
Fascias require 1" minimum spacing above top of track for clearance during installation.

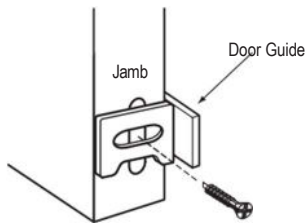
1. Cut Track to Fit Application

3. Install Track

- Make sure track is plumb and level.
- Fasten using #10 x 1 1/2" pan head fasteners (not included) into all track mounting holes.

Note: Side Wall Track furnished blank, drill for #10 fasteners. Drill for one fastener at each end of track and no more than 24" on center





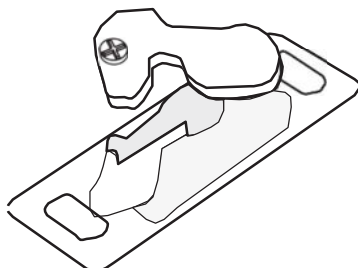
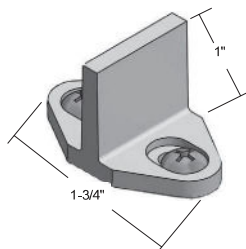
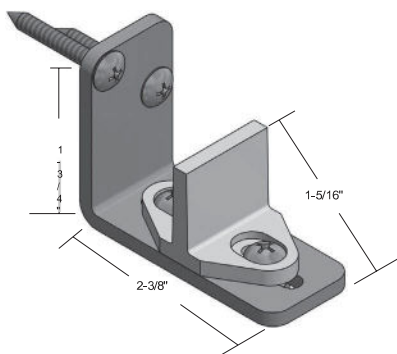
4. Installing Door Bottom Guides

Pocket Doors: Install nylon guides facing toward the door opening, fasten Door Guides to Jamb using #8 x 1" screws as shown.



By-Pass Doors: Install dual floor guide.

Side Wall: Install wall/floor mounted guide. If floor mounted remove "L" bracket from guide. Mortise center of door bottom 1/4" wide x 7/8" deep for guide.

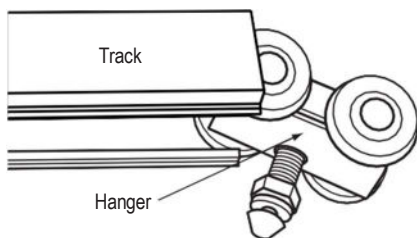


5. Installing Door Plates on Door Panel

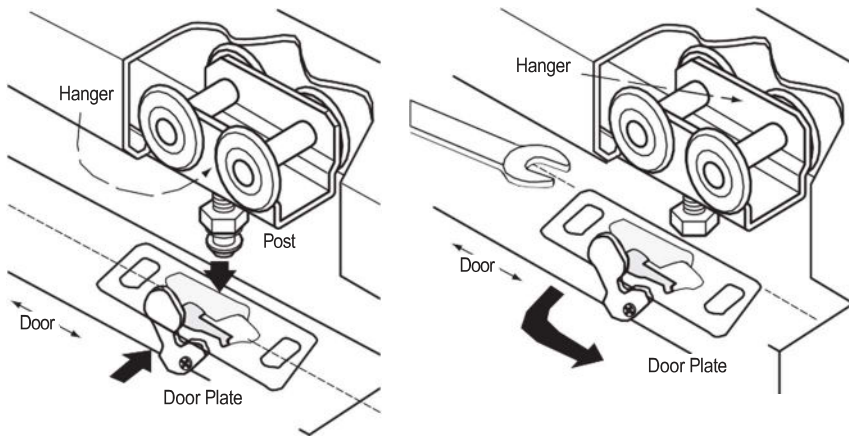
Position both Door Plates on top of door panel at least 1 3/4" in from left and right edges of door panel. Mark for fasteners and pre-drill using a 9/64" bit. Drill holes 1" deep. Secure Door Plates to top of door panel using four (4) #12 x 13/8" screws, two (2) for each door plate.

6. Installing Hangers INTO TRACK

From the open end of track, slide Hangers into track as shown. Installing Hangers with Soft Close into track, refer to Soft Close Instructions.

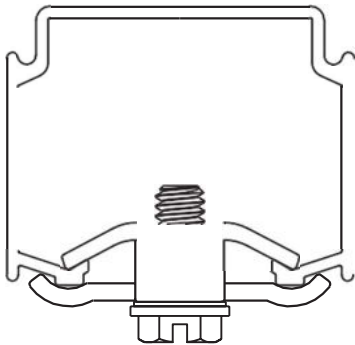


7. Installing Door(s)



- If using mortised type guide or bypass guide, place door bottom into bottom guide.
- Insert door onto Hanger by lifting the door and sliding Door Plate onto post as shown.
- Using the wrench provided turn the post to adjust the door vertically so it has sufficient floor clearance and is level. Do not unscrew post from Hanger.
- When door is in position you need to lock the door plate.

Note: Do not leave door unattended until stops are completely installed



8. Install In-Track Stops

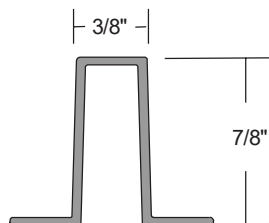
Loosen fastener to separate plates for installation. Insert into track as shown. Tighten stop fastener once in desired location.

Optional Ordered Separately:

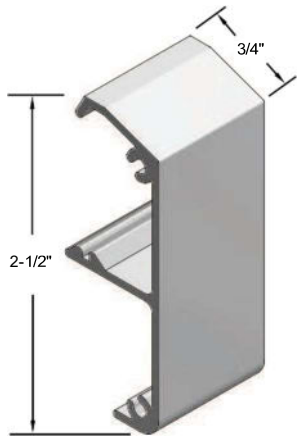
SL-BCG

- Install Bottom Channel Guide at bottom of Door with Adhesive. Door must be mortised $3/8" \times 7/8"$.

Recommended
Mortise



END VIEW



SL-SQ20

Use with

By-Pass SLAL-250-BP-2DR
 By-Pass SLAL-250-BP-4DR
 Pocket SLAL-250-PD

FASCIAS

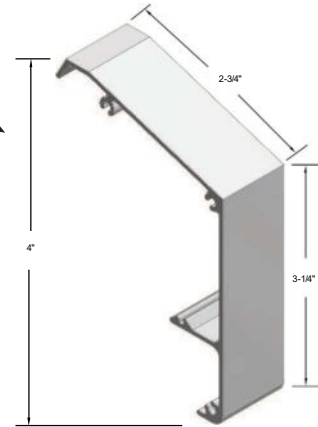
- Hold bottom of fascia under track opening.
- Hook fascia onto top groove and pull bottom forward to snap bottom into place, working from one end towards the other.

Use with

Side Wall Mount
 SLAL-250-SW



SL-RD



SL-SQ18

